



Assembly overview.....	2
1. Frame inspection.....	3
2. Headset installation.....	4
3. Seatpost installation.....	5
4. Saddle adjustment.....	6-7
5. Parts listing.....	8-9

For the warranty to be valid, the bicycle must be fully assembled by an authorized Argon 18 dealer. High-end components, particularly carbon parts, need extra care when assembled. Those components must be installed using a calibrated torque wrench to make sure every bolt is at the right torque setting to prevent damage.



1. Frame inspection



2. Headset installation



3. Seatpost installation



4. Saddle adjustment



5. Parts listing

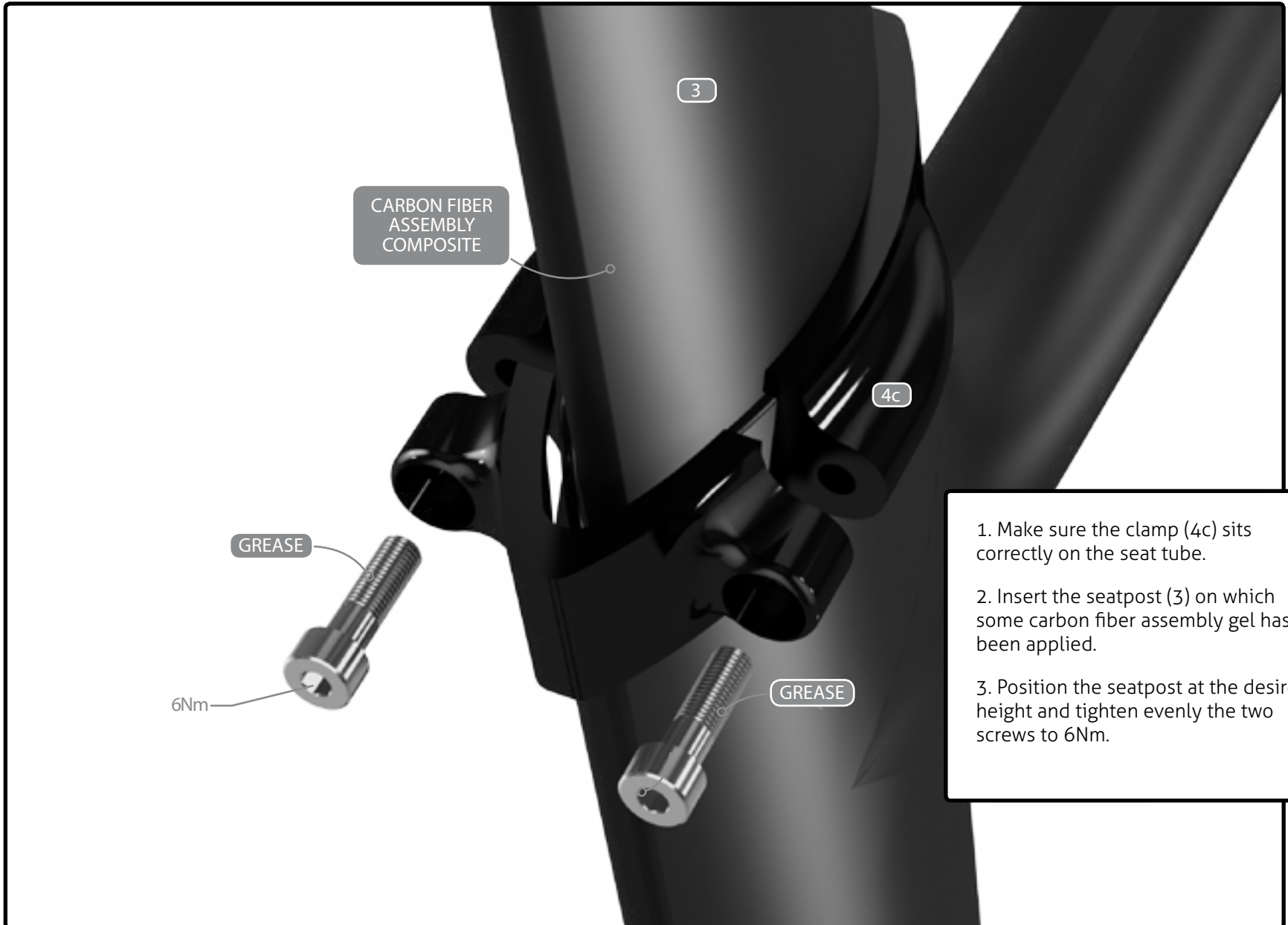


When assembling a new frame, be sure to check if the following parts are assembled correctly.

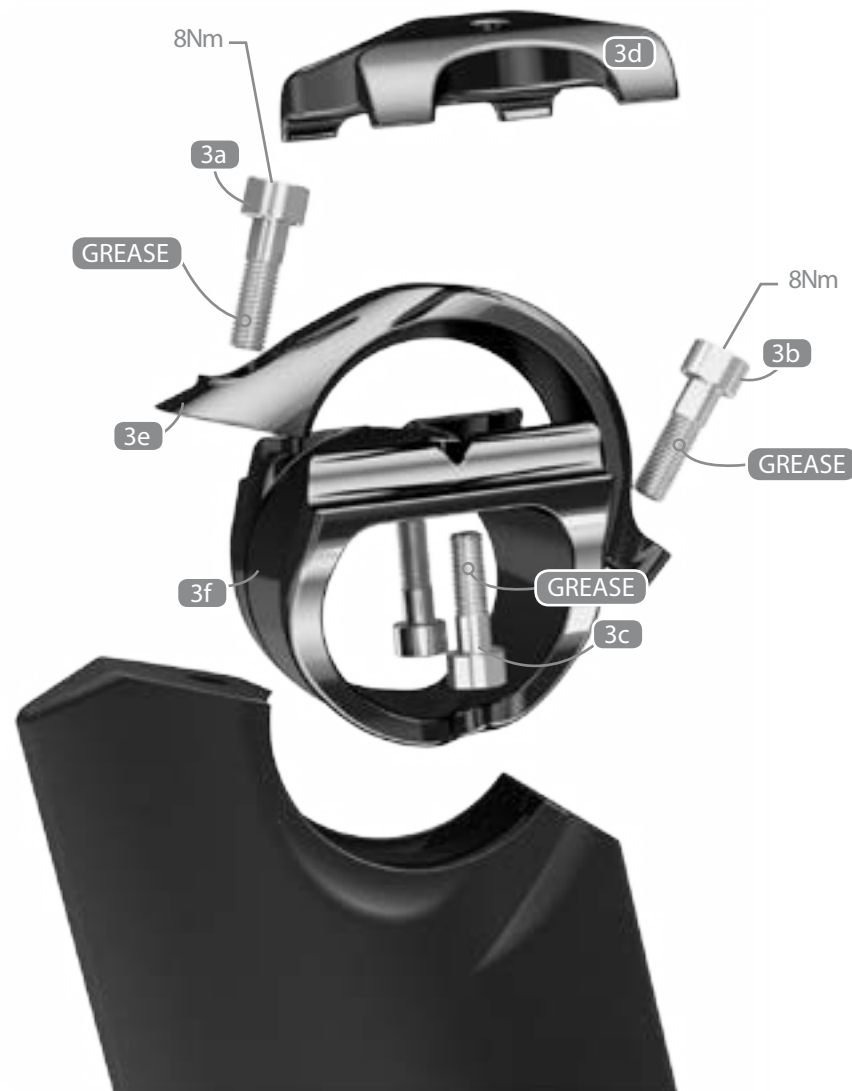
	Parts installed on the frame	Description	Screw type	Torque Nm	Detail
1	Drop out insert with screws	Screw (6)	3mm	4Nm	Loctite
2	Seat clamp	Screw (1)	4mm	3Nm	Grease



Install the 3D headset (5) according to the pressfit assembly guide. You can choose from 3 different heights: 25mm, 15mm or 0mm.



1. Make sure the clamp (4c) sits correctly on the seat tube.
2. Insert the seatpost (3) on which some carbon fiber assembly gel has been applied.
3. Position the seatpost at the desired height and tighten evenly the two screws to 6Nm.



1. Install the saddle on the rocker (3f) and slightly tighten the rail clamp (3c) using a ball end hex key.

2. Tighten the upper screw of the rocker clamp (3a) by keeping a space of 2 to 3mm between the aluminum and carbon parts.

3. Adjust the angle of the saddle and tighten the lower bolt of the rocker clamp (3b).

4. Adjust the saddle offset and finalize the tightening of the rail clamp (3c).





The 2waypost ASP-4000 can be flipped to achieve a triathlon or a road position (75°/78°).

The seat clamp offset can be set by flipping the rail clamp (3d) and the rocker (3f).

Road : -10mm to -15mm

Tri : +10mm to 15mm





No #	Name	Supplier Description	Qty	SKU Comp	SKU Acc
# Frameset parts					
1	Electron Pro frame	AR-TRK-01-3K, artwork 220A, Black/red, matte/gloss			
2	Electron Pro fork	AR-TRK01FKF-43*300*46,artwork 220A-FK, Black/red,matte/gloss	1	38647	38774
# Seat post with the following parts assembled					
3	Electron Pro seat post (ASP-4500)	AR-TRK01-SP-3K with SPB101+WD102 + 3pcs M001E90522, artwork 220ASP, Black,matte	1	38648	38775
3a	• Upper HexSocket screw (M6*20mm S) for rocker clamp	M6*20 S	1		
3b	• Lower HexSocket screw (M6*20mm S) for rocker clamp	M6*20 S	1		
3c	• HexSocket screws (M5*20mm S)	M5*20 S	2		
3d	• Top rail clamp	TT01-SP-top rail clamp	1		
3e	• Rocker clamp	TT01-SP-rocker clamp (arc)	1		
3f	• Rocker	TT01-SP-rocker	1		
# Parts installed on the frame					
4a	Inserts for rear drop out with screws - Model H	2pcs KG-Team (P) + 2pcs KG-Team (P)-B + 6 pcs Flat head HexSocket screws (M4*7mm F)	1 set		32704
4b	Chain adjustor for drop out	YZ-CD-29, chain adjustor for AR-Track-01	1 set		36733
4c	Seat clamp alloy polish black with screws	AR-TT01 seat collar, alloy polish black with HexSocket screws (M5*20mm S)	1		37834
# Also included with the frameset - shipped separately					
5	Headset No. IS-2 6.5 + 3D with compressor TH-881-1	IS-2 + 3D (1-1/8") (Argon 18 exclusive) with TH-881-1 (23mm), H0540E4138E101 ; Ano black, with H2094A, with 881-1 23mm, MW006x4, E0311, (MW214A-10mm, MW214B-20mm), logo: 3D headtube (AM packaging)	1	37868	37870
6	3D headset tool	3D head tube tool, 2012 w/3D head tube logo, with hole, width 33.5mm	1	36165	36919