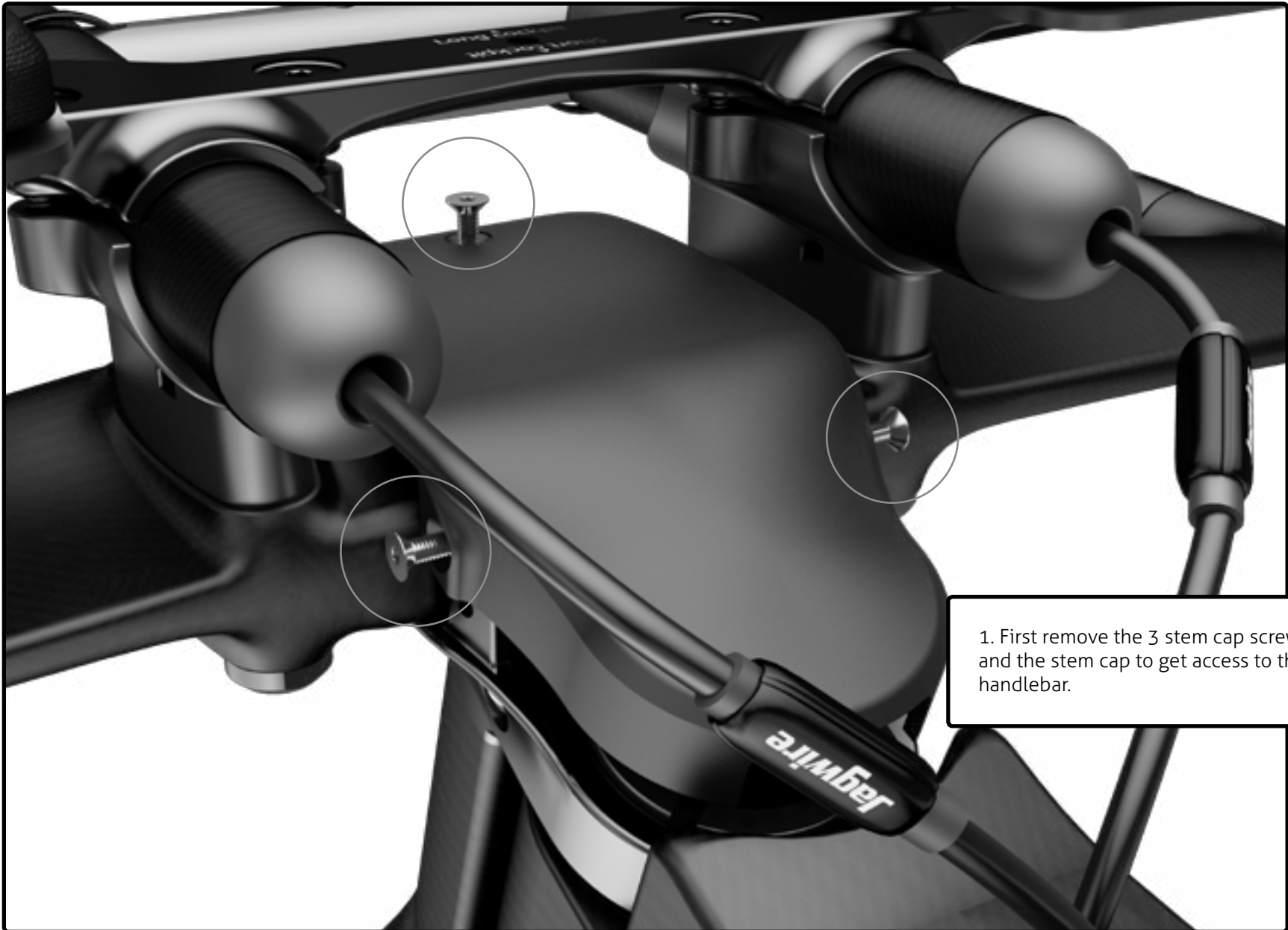


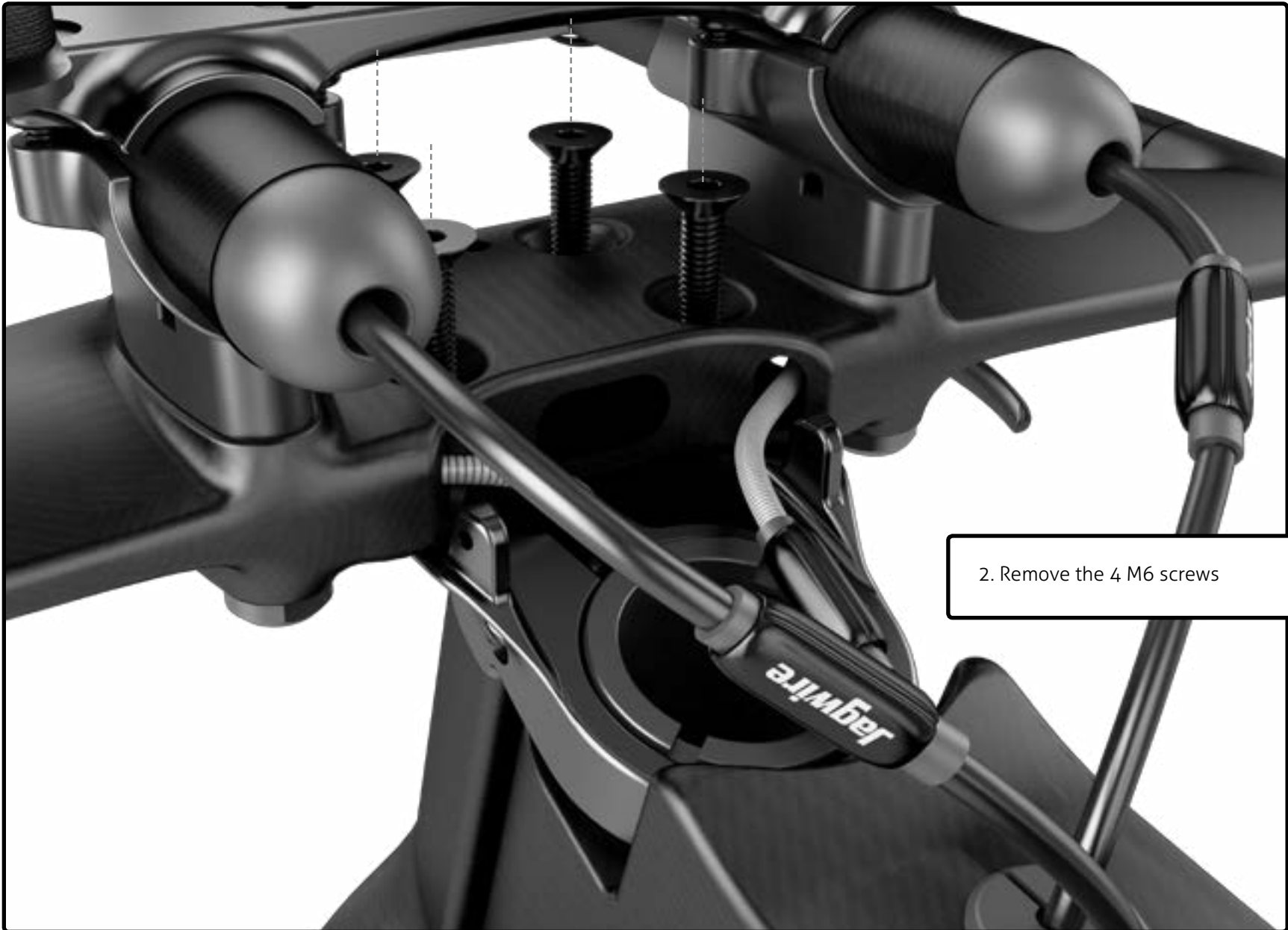


The following steps will help you to quickly disassemble the E-118 NEXT front-end for travelling purposes.





1. First remove the 3 stem cap screws and the stem cap to get access to the handlebar.



2. Remove the 4 M6 screws



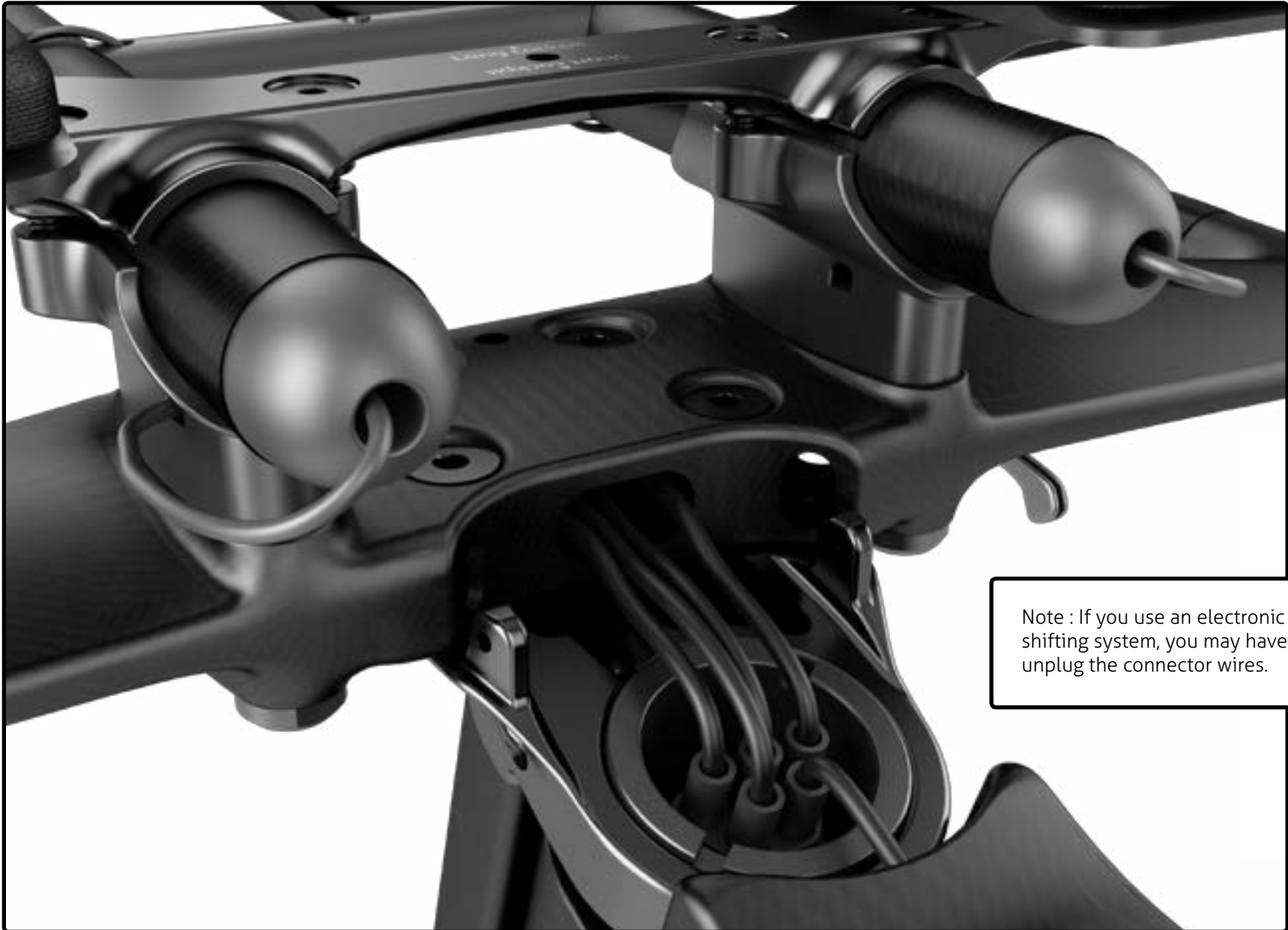
3. Carefully lift the handlebar upward. You can replace the handlebar screws on the fork head to avoid losing any parts.



4. Place the handlebar as shown in the picture. You should use protective material between the frame and the handlebar to avoid any damage.



5. Secure the handlebar to the frame and fork by using straps.



Note : If you use an electronic shifting system, you may have to unplug the connector wires.